

ACCU PULSE VALVE DMF-Z (Threaded connectors)

MODEL - DMF-Z Size \varnothing 3/4" - 1" - 1 1/2" 2"
Technical Index

Working Pressure	:	0.1MPa -0.6 MPa
Working Media	:	Clean air
Voltage	:	DC24V (0.9A) AC110V (0.46A) AC220V (0.23A)
Temperature Level	:	-25 -80°C
Protection Class	:	IP65
Diaphragm Life	:	One million blows or 3 years

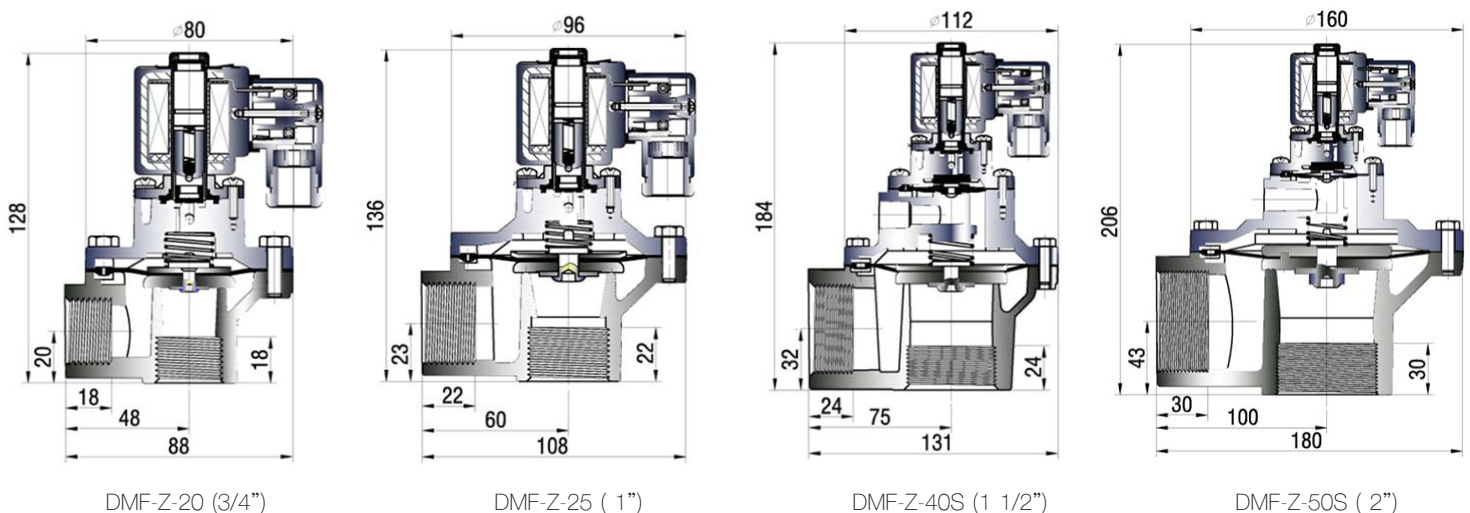
Material Construction

Body	:	ADC12diecast aluminium
Armature	:	430FR stainless steel
Diaphragm & Seals	:	Continental Nitrile
Spring	:	321 stainless steel
Screws	:	O2 stainless steel

PULSE VALVE PROPERTY

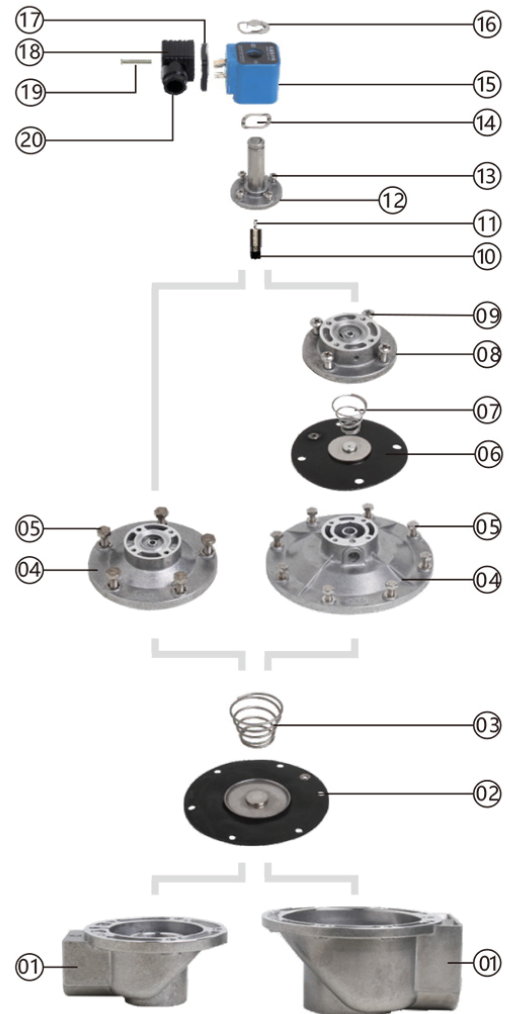
The DMF-Z electromagnetic valve employs the rubber diaphragm as the switch element of pulse valve. The opening and closing of the valve is accomplished by changing the air room pressure in the front and back through the orifice and release hole.

The angle between input and output ports of pulse valves within this series is 90°, called Right Angle Valve. Its input and output interface are designed to have internal threads connecting the short tube on the manifold box (air bag) and the injection pipe thread respectively. The valve is easy to install which is applicable for various kinds of filter equipments by providing satisfactory cleaning vibrating flow. Electromagnetic pulse valves of this series are classified as eight categories below : 20mm(3/4"), 25mm(1"), 40mm(1 1/2) ,50mm(2"). Among which 20mm (3/4") and 25mm (1") are single diaphragm valve and 40mm(1 1/2")-55mm(2") are double diaphragms valve.

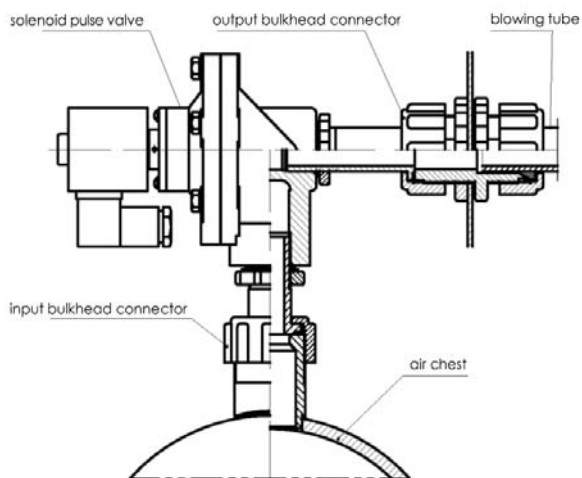
DRAWING AND DIAMENTION


ACCU PULSE VALVE DMF-Z (Threaded connectors) PART

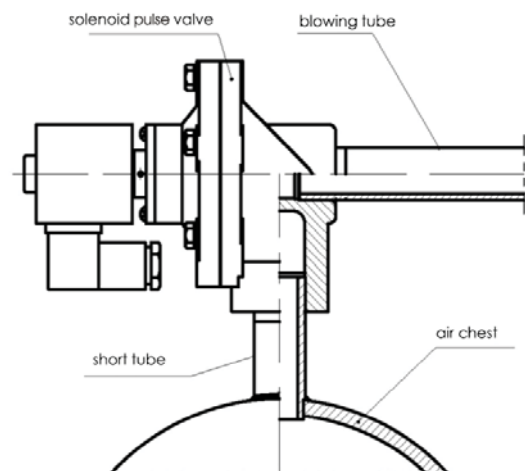
- 01 valve body
- 02 diaphragm (primary)
- 03 spring
- 04 valve top
- 05 bolt
- 06 diaphragm (assistant)
- 07 spring
- 08 valve top
- 09 screw
- 10 armature
- 11 spring
- 12 guidance
- 13 screw
- 14 waved washer
- 15 solenoid coil
- 16 block spring
- 17 sealing washer
- 18 junction box
- 19 screw
- 20 sealing connector



INSTALLATION



DMF-Z INSTALLATION (1)



DMF-Z INSTALLATION (2)

ACCU PULSE VALVE DMF-ZM (Quick connectors)

MODEL - DMF-ZM Size \varnothing 3/4" - 1" - 1 1/2"
Technical Index

Working Pressure	:	0.1MPa -0.6 MPa
Working Media	:	Clean air
Voltage	:	DC24V(0.9A) AC110V(0.46A) AC220V (0.23A)
Temperature Level	:	-25 -80°C
Protection Class	:	IP65
Diaphragm Life	:	One million blows or 3 years

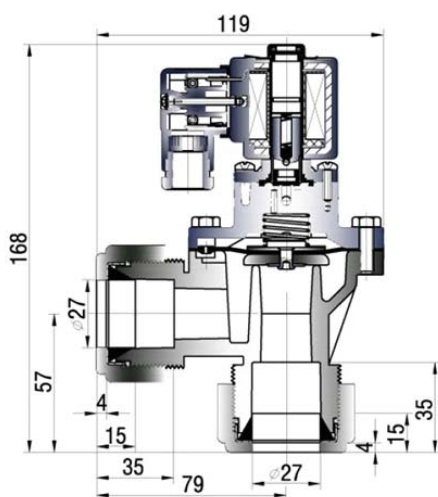
Material Construction

Body	:	ADC12diecast aluminium
Armature	:	430FR stainless steel
Diaphragm & Seals	:	Continental Nitrile
Spring	:	321 stainless steel
Screws	:	O2 stainless steel

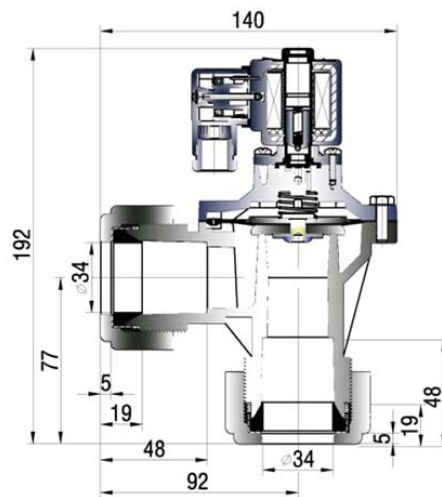
PULSE VALVE PROPERTY

The DMF-ZM electromagnetic valve employs the rubber diaphragm as the switch element of pulse valve. The opening and closing of the valve is accomplished by changing the air room pressure in the front and back: through the orifice and release hole.

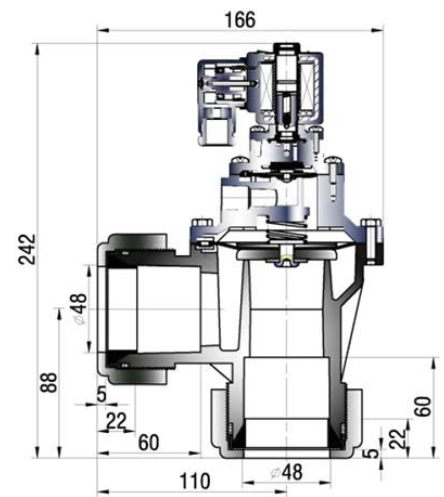
The angle between the input and output ports of pulse valves within this series is 90°, which could be called as Right Angle Valve. Its input and output interface are designed with outer thread equipping with press nut. During the installation, one should insert the short tube on the air chest (air bag) and the injection pipe into the conical sealing rings of input and output interfaces respectively and tighten the press nut. The valve is easy to install which is applicable for various kinds of filter equipments by providing satisfactory cleaning vibrating flow.

DRAWING AND DIAMENTION


DMF-ZM-20 (3/4")



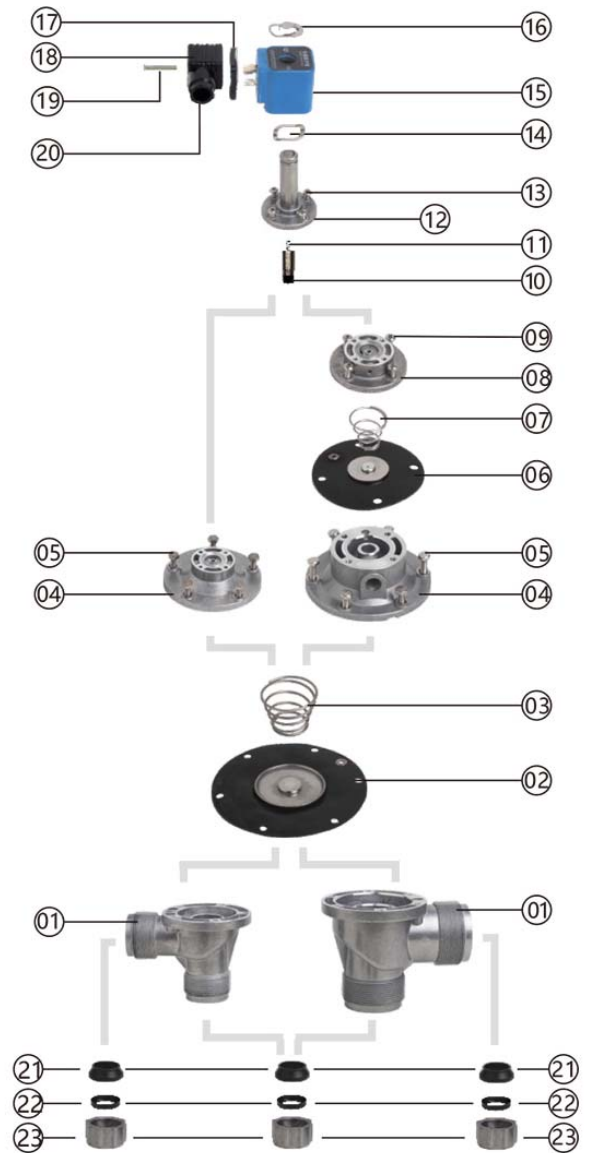
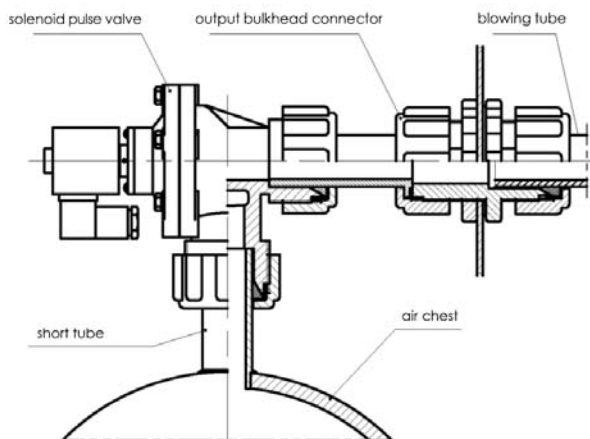
DMF-ZM-25 (1")



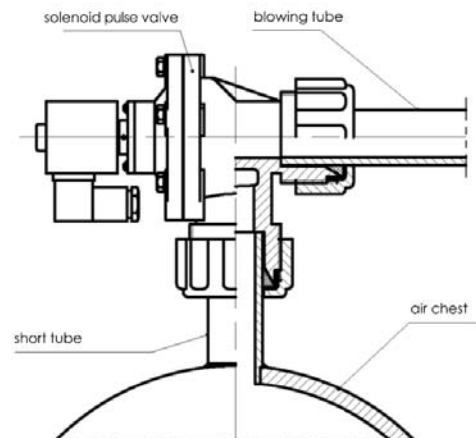
DMF-ZM-40S (1 1/2")

ACCU PULSE VALVE DMF-ZM (Quick connectors) PART

- 01 valve body
- 02 diaphragm (primary)
- 03 spring
- 04 valve top
- 05 bolt
- 06 diaphragm (assistant)
- 07 spring
- 08 valve top
- 09 screw
- 10 armature
- 11 spring
- 12 guidance
- 13 screw
- 14 waved washer
- 15 solenoid coil
- 16 block spring
- 17 sealing washer
- 18 junction box
- 19 screw
- 20 sealing connector
- 21 cone sealing washer
- 22 bowl washer
- 23 press nut


INSTALLATION


DMF-Z INSTALLATION (1)



DMF-Z INSTALLATION (2)

PULSE VALVE DMF-Y (Valves for flat surface)

MODEL - DMF-Y Size \varnothing 3/4" - 1" - 1 1/2"
Technical Index

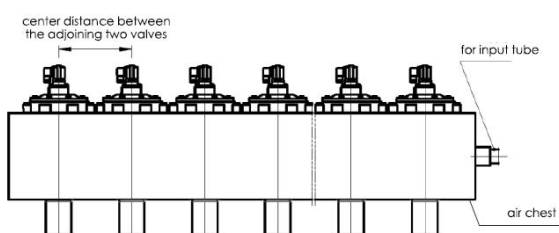
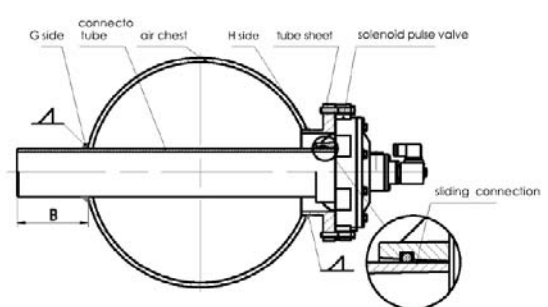
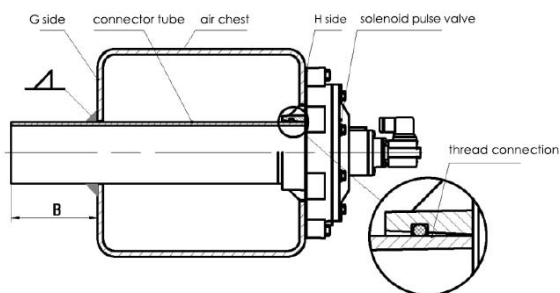
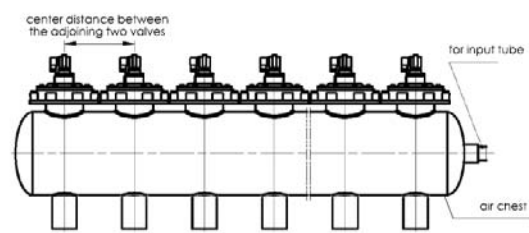
Working Pressure	:	0.1MPa -0.6 MPa
Working Media	:	Clean air
Voltage	:	DC24V(0.9A) AC110V(0.46A) AC220V (0.23A)
Temperature Level	:	-25 -80°C
Protection Class	:	IP65
Diaphragm Life	:	One million blows or 3 years

Material Construction

Body	:	ADC12diecast aluminium
Armature	:	430FR stainless steel
Diaphragm & Seals	:	Continental Nitrile
Spring	:	321 stainless steel
Screws	:	O2 stainless steel

PULSE VALVE PROPERTY

Valves of this series are directly installed on the air chest [air bag) which is called immersion valve (also called as injection valve or low pressure valve). During the installation, one should fix the mounting hole on the collar flange of the valve with the air chest through bolts and connect the dust blowing tube with the output port extension tube outside the air chest. The character of the valve is good flow, low pressure loss and could provide satisfactory cleaning vibrating flow in the low pressure environments. The valve is applicable for various kinds of filter equipments.

INSTALLATION

DMF-Z INSTALLATION (1)

DMF-Z INSTALLATION (2)

Bulkhead Quick Connectors (FAP)

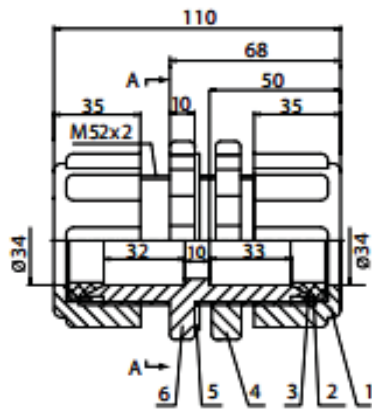
MODEL FAP-2 Size $\varnothing 3/4'' - 1'' - 1 1/2''$

Material Construction

Body : diecast aluminium

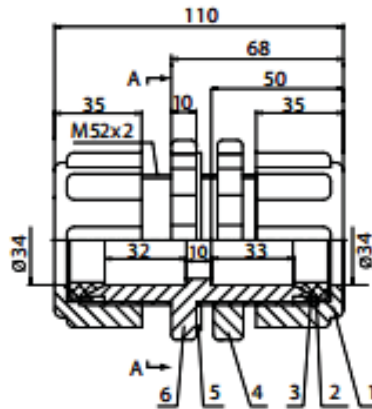
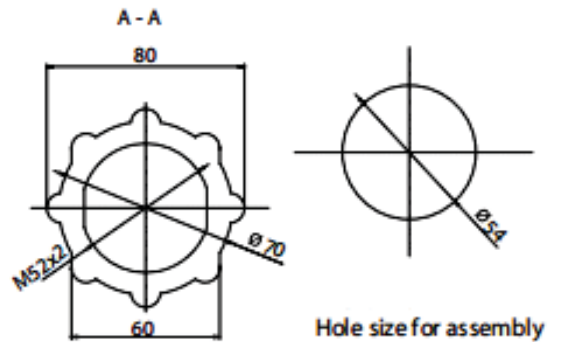
Seals : NBR

Special joint, which is reliable in use and convenient for installation and maintenance



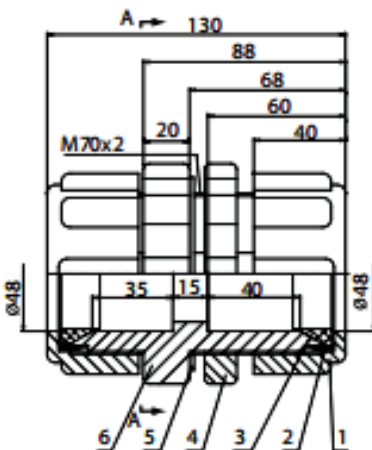
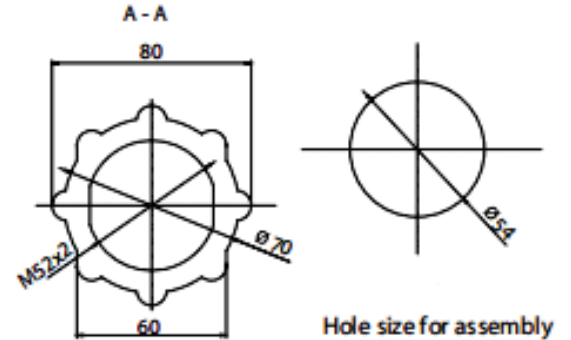
1. Compression nut
2. Bowl washer
3. Conical seal washer
4. Jam nut
5. Seal piece
6. Wall-crossing pipe

FAP-A-2-20



1. Compression nut
2. Bowl washer
3. Conical seal washer
4. Jam nut
5. Seal piece
6. Wall-crossing pipe

FAP-A-2-25



1. Compression nut
2. Bowl washer
3. Conical seal washer
4. Jam nut
5. Seal piece
6. Wall-crossing pipe

FAP-A-2-40

